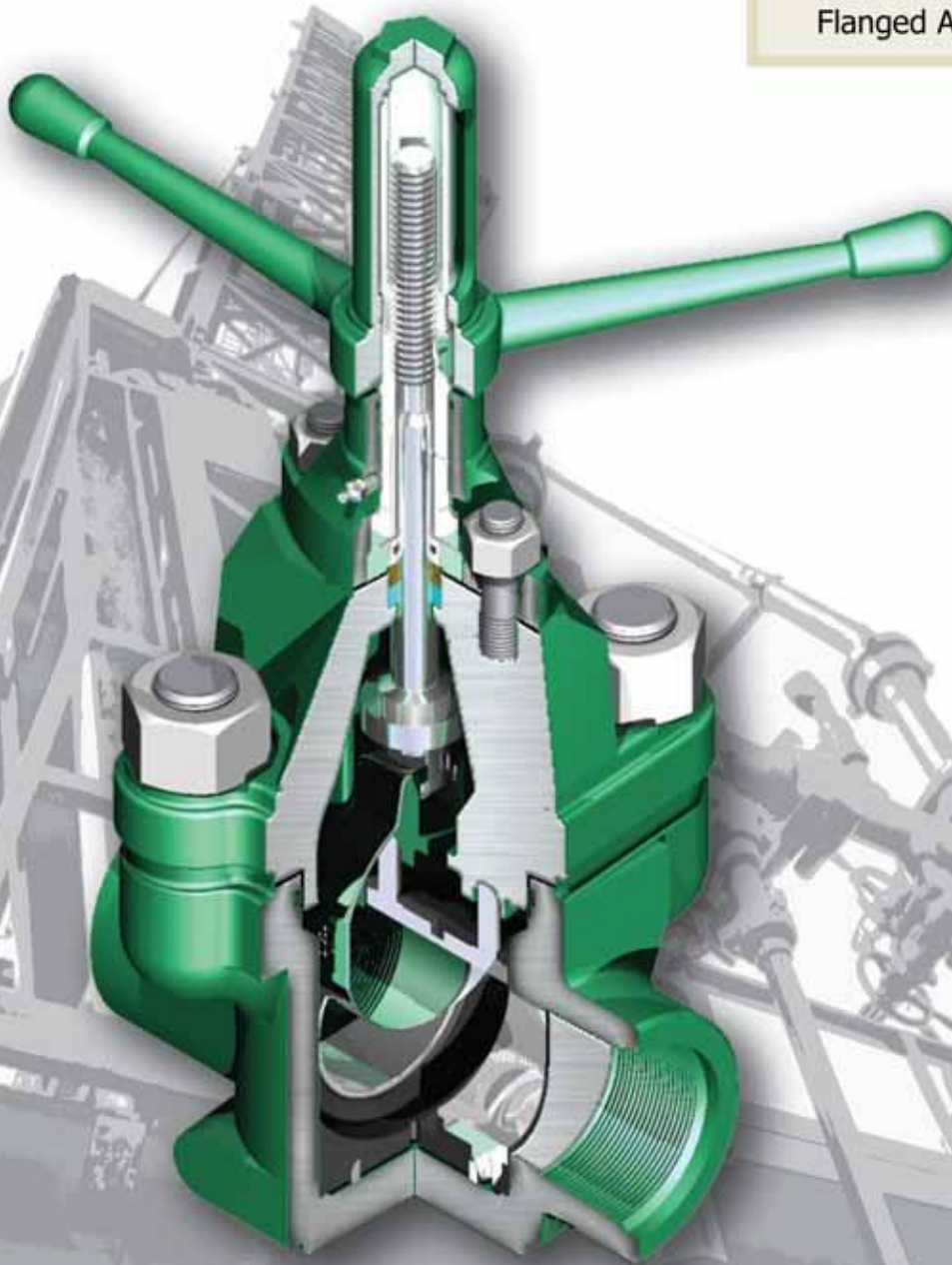


DM Series GATE VALVES



www.mysh.mx ventas@mysh.mx

Sizes available: 2 to 5 inches
Pressure Ratings: 2,000 to 7,500 psi
End Connections available:
Threaded LPT, CSG, LCSG, EUE, NUE
Butt Weld Sch. 40-XXS and Metric
FMC Weco® Hammer Union
Flanged API and ANSI



<http://www.OTECO.com>



OTECO DM Series Gate Valve

Oteco DM series fits the bill for low cost valve operation. Made from high strength weldable alloys and corrosion resistant components, this water, oil and gas gate valve provides ease of in-line repairs. The DM valve is offered in pressure ranges for 0-7,500 PSI (517 BAR), with standard or sour gas trim options, and 90 durometer main seals. All valves are Assembled and tested in our Houston, Texas facility.

DM Series Gate Valve Trim Options

TRIM OPTION	MAX. WORK PRESS.	DESCRIPTION	SEAT COMPONENTS				TEMP. RATING		BONNET SEAL		GATE MAT'L
			2", 3" INSERT	4" INSERT	POLY	* DURO	LOW °F (°C)	HIGH °F (°C)	POLY	DURO	
SD	5K	STANDARD	A487	A487	NBR	70	-20 (-29)	250 (121)	NBR	90	316 SS
SS	5K	STAINLESS	316 SS	17-4 PH	NBR	70	-20 (-29)	250 (121)	NBR	90	316 SS
SG	5K	SOUR GAS	316 SS	17-4 PH	HNBR	80	-40 (-40)	250 (121)	HNBR	90	316 SS
CS	5K	COLD SERVICE	316 SS	17-4 PH	HNBR	80	-40 (-40)	250 (121)	HNBR	90	316 SS
HP	7.5K	HIGH PRESSURE	17-4 PH	17-4 PH	HNBR	80	-40 (-40)	250 (121)	HNBR	90	17-4 PH
HP/SS	7.5K	STAINLESS	17-4 PH	17-4 PH	HNBR	80	-40 (-40)	250 (121)	HNBR	90	17-4 PH
HP/SG	7.5K	SOUR GAS	17-4 PH	17-4 PH	HNBR	80	-40 (-40)	250 (121)	HNBR	90	17-4 PH
HP/CS	7.5K	COLD SERVICE	17-4 PH	17-4 PH	HNBR	80	-40 (-40)	250 (121)	HNBR	90	17-4 PH

* DUROMETER SHORE A



OTECO Model 22, 23 & 25 DM Gate Valve Features & Benefits

- Tight fit tolerances.
- Corrosion resistant Gate & Stem.
- Easy in-line rebuild.
- Integral outlet ends.
- High strength steel seat inserts.
- USA molded seats.

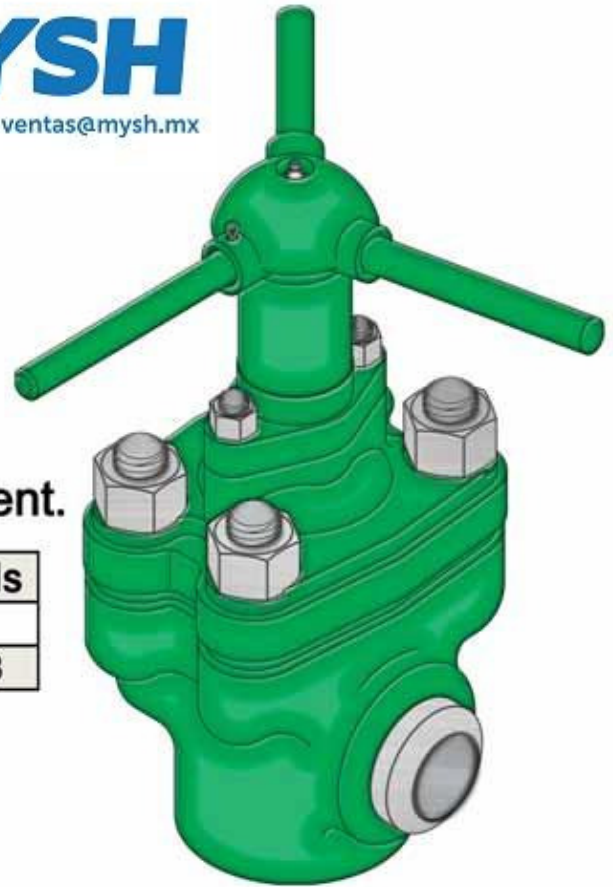
Oteco DM Model 22, 23 & 25 Data		Models
WORKING PRESS. PSI (BAR)	2,000 (138)	22
WORKING PRESS. PSI (BAR)	3,000 (207)	23
WORKING PRESS. PSI (BAR)	5,000 (345)	25

* Temperature is polymer dependent.



**OTECO Model 35, 28 & 38
DM Gate Valve
Feature & Benefits**

- Tight fit tolerances.
- Corrosion resistant Gate & Stem.
- High strength weldable alloy.
- Flourotrel lipcup stem seals.
- Zinc Chromate plated studs & nuts.
- High strength steel seat inserts.
- Extended Body Stud thread engagement.

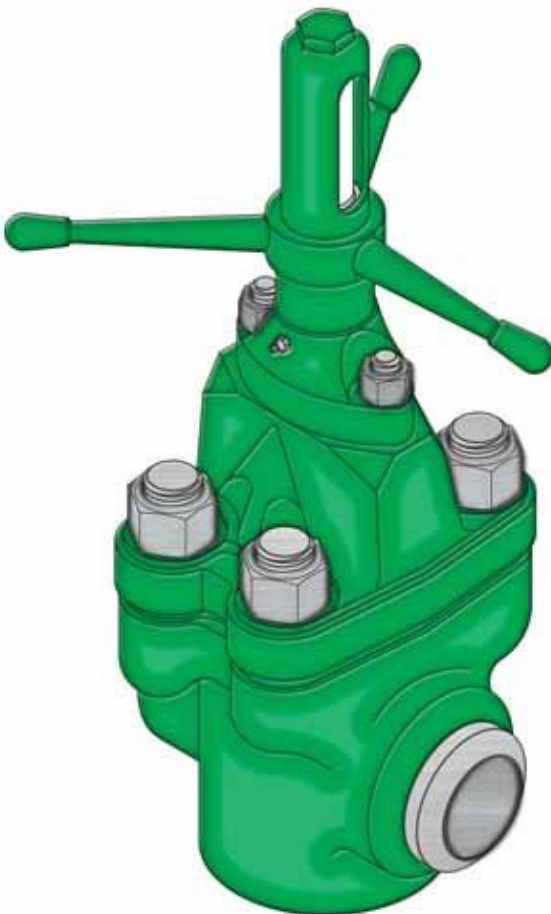


Oteco DM Model 35, 28 & 38 Data		Models
WORKING PRESS. PSI (BAR)	5,000 (345)	35
WORKING PRESS. PSI (BAR)	7,500 (517)	28, 38

* Temperature is polymer dependent.

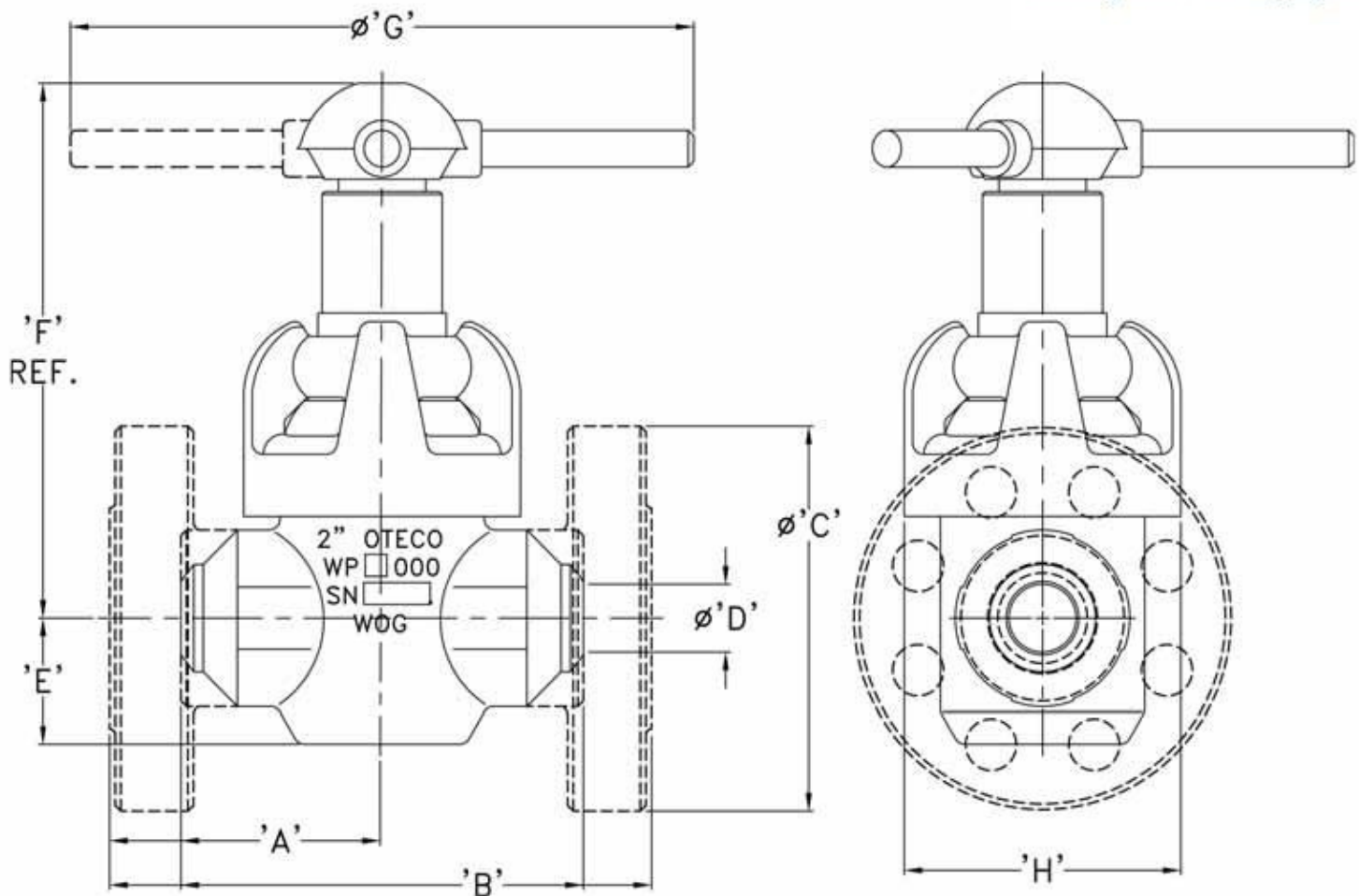
**OTECO Model 45, 55, 48 & 58
DM Gate Valve
Feature & Benefits**

- Tight fit tolerances.
- Corrosion resistant Gate & Stem.
- High strength weldable alloy.
- Flourotrel lipcup stem seals.
- Zinc Chromate plated studs & nuts.
- High strength steel seat inserts.
- Body & Bonnet nut clearance for closed end wrenches and sockets.
- Extended Body Stud thread engagement.



Oteco DM Model 45, 55, 48 & 58 Data		Models
WORKING PRESS. PSI (BAR)	5,000 (345)	45, 55
WORKING PRESS. PSI (BAR)	7,500 (517)	48, 58

* Temperature is polymer dependent.



DM 22, 23 & 25 SERIES GATE VALVE ASSEMBLIES - INCH (Metric mm)

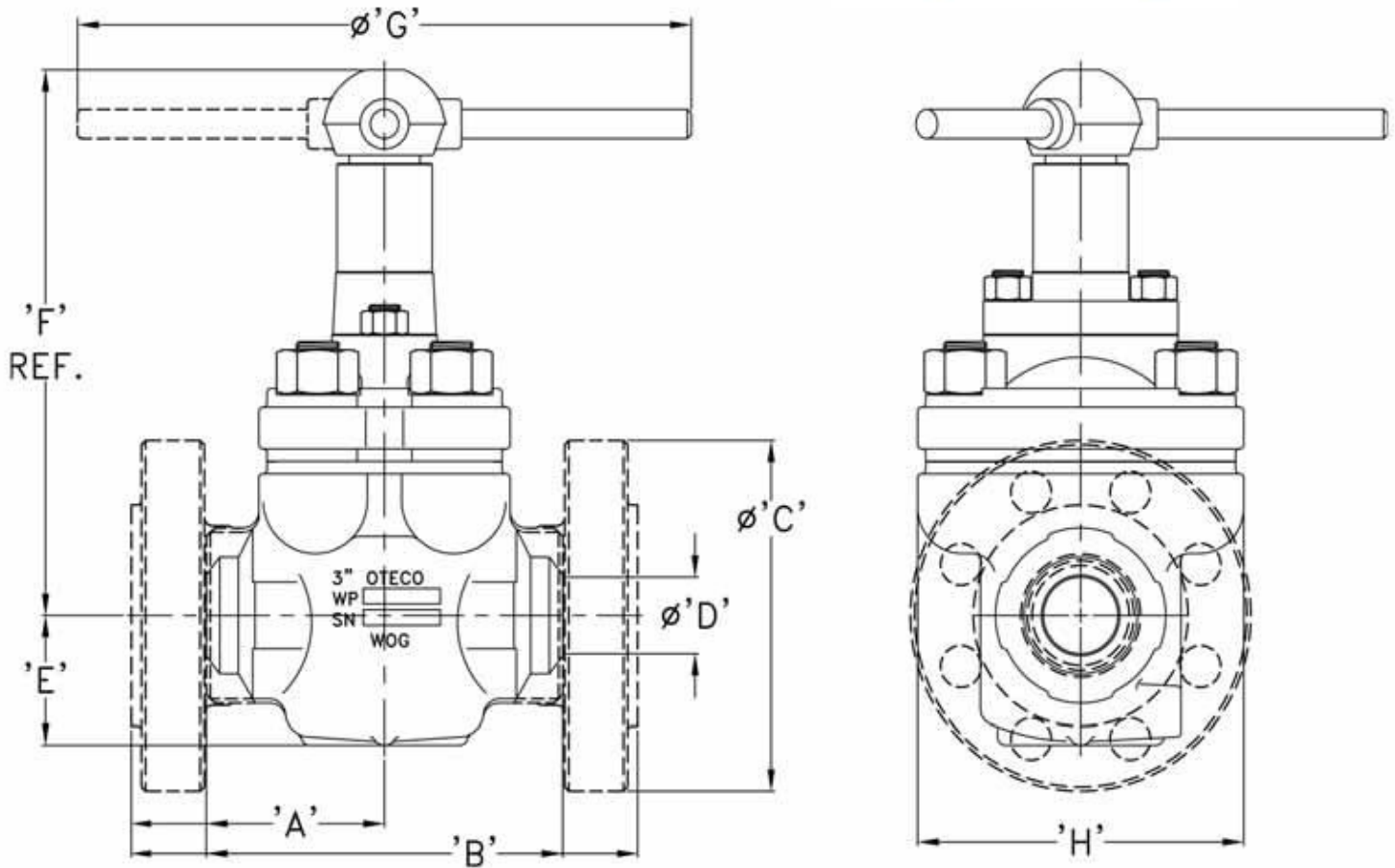
DESCRIPTION	'A'	'B'	'C'	'D'	'E'	'F'	'G'	'H'
THREADED GATE VALVE, 2" LP	4-1/2"	9"	*	2"	2-3/4"	13"	14"	6-3/16"
	(114)	(229)	*	(51)	(70)	(330)	(356)	(157)
BUTT WELD GATE VALVE, 2"	4-1/2"	9"	*	***	2-3/4"	13"	14"	6-3/16"
(ALL SCHEDULES ***)	(114)	(229)	*	***	(70)	(330)	(356)	(157)
FLANGED GATE VALVE, 2.06-5K	6-1/16"	12-1/8"	8-1/2"	2"	2-3/4"	13"	14"	6-3/16"
(RTJ-R24)	(154)	(308)	(216)	(51)	(70)	(330)	(356)	(157)

** Dimensional values are reference. Custom and non-standard end connections will differ.

*** Butt Weld Schedules and dimensions per ANSI B36.10.



www.mysh.mx ventas@mysh.mx

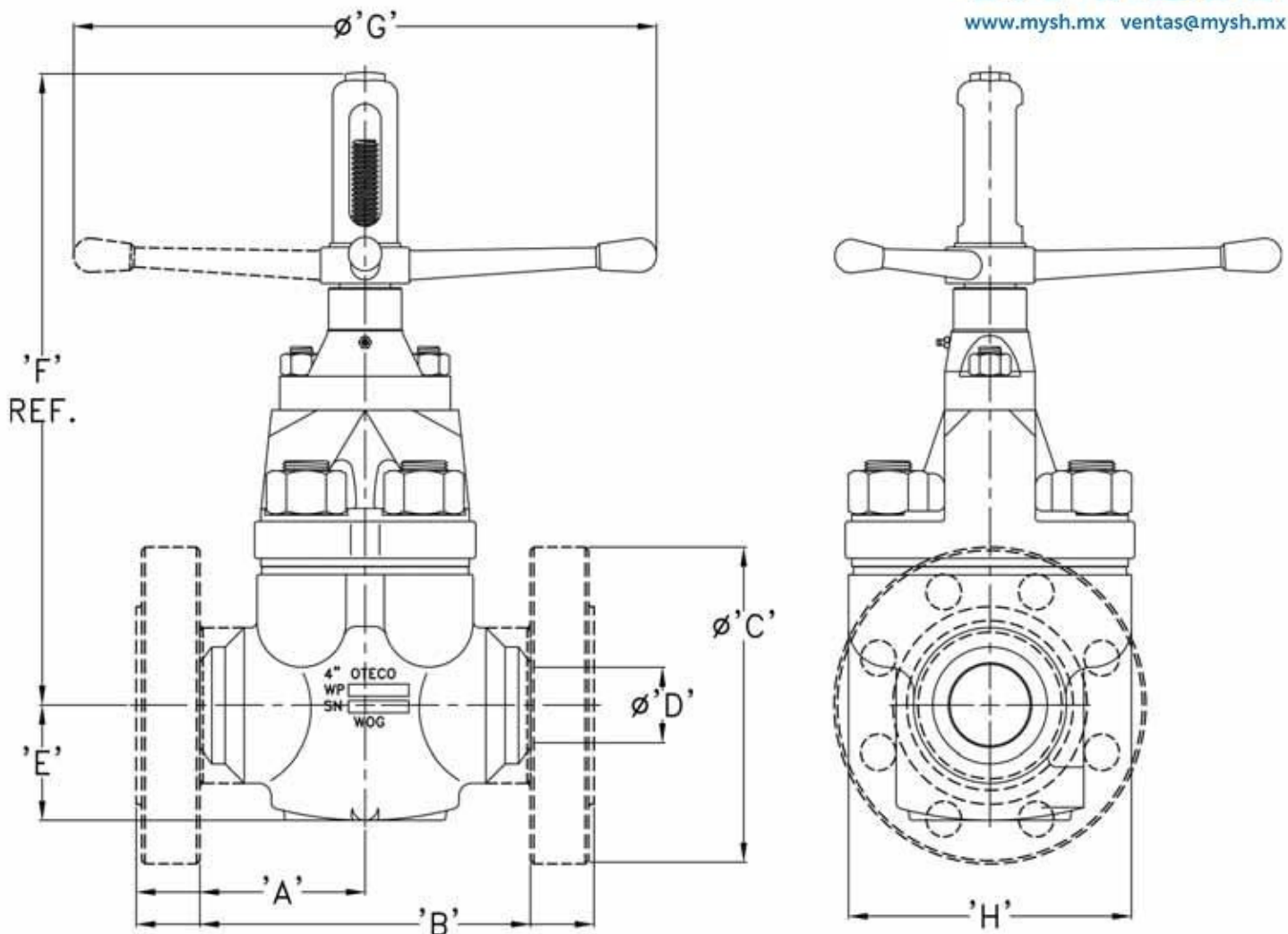


DM 35, 28 ¹ & 38 SERIES GATE VALVE ASSEMBLIES - INCH (Metric mm)								
DESCRIPTION	'A'	'B'	'C'	'D'	'E'	'F'	'G'	'H'
DM35, THREADED GATE VALVE, 3" LP	5-1/2"	11"	*	3"	3-7/8"	18"	19"	10"
	(140)	(280)	*	(76)	(98)	(457)	(483)	(254)
DM35,38,BUTT WELD GATE VALVE,3"	5-1/2"	11"	*	***	3-7/8"	18"	19"	10"
(MODEL 38 SCH.XXS ONLY)	(140)	(280)	*	***	(98)	(457)	(483)	(254)
DM28,BUTT WELD GATE VALVE,2"	4-1/2"	9"	*	***	3-7/8"	18"	19"	10"
SCH.XXS	(114)	(229)	*	***	(98)	(457)	(483)	(254)
DM35,FLANGED GATE VALVE,3.12-5K	7-3/16"	15-5/8"	10-1/2"	3"	3-7/8"	18"	19"	10"
(RTJ-R35)	(198)	(397)	(267)	(76)	(98)	(457)	(483)	(254)
DM38,FLANGED GATE VALVE,3.06-10K	12-3/16"	24-3/8"	10-5/8"	3"	3-7/8"	18"	19"	10"
(RTJ-BX154)	(310)	(619)	(270)	(76)	(98)	(457)	(483)	(254)

¹ Model 28 end to end dimensions will vary.

** Dimensional values are reference. Custom and non-standard end connections will differ.

*** Butt Weld Schedules and dimensions per ANSI B36.10.



DM 45, 55, 48 & 58 SERIES GATE VALVE ASSEMBLIES - INCH (Metric mm)

DESCRIPTION	'A'	'B'	'C'	'D'	'E'	'F'	'G'	'H'
DM45, THREADED GATE VALVE, 4" LP (MODEL 45 & 48 8RD. CSG/LCSG)	6-1/2" (165)	13" (330)	* *	4-1/16" (103)	4-7/16" (113)	24-9/16" (624)	23" (584)	11-1/8" (283)
DM45,48,BUTT WELD GATE VALVE,4" (MODEL 48 SCH.XXS ONLY)	6-1/2" (165)	13" (330)	* *	*** ***	4-7/16" (113)	24-9/16" (624)	23" (584)	11-1/8" (283)
DM55, 58 BUTT WELD GATE VALVE,5" (MODEL 58 SCH.XXS ONLY)	6-1/2" (165)	13" (330)	* *	*** ***	4-7/16" (113)	24-9/16" (624)	23" (584)	11-1/8" (283)
DM45,FLANGED GATE VALVE,4.06-5K (RTJ-R39)	9" (229)	18" (457)	12-1/4" (311)	4-1/16" (103)	4-7/16" (113)	24-9/16" (624)	23" (584)	11-1/8" (283)
DM48,FLANGED GATE VALVE,4.06-10K (RTJ-BX155)	13-3/16" (335)	26-3/8" (670)	12-7/16" (316)	4-1/16" (103)	4-7/16" (113)	24-9/16" (624)	23" (584)	11-1/8" (283)
DM55,FLANGED GATE VALVE,5.12-5K (RTJ-R44)	14-1/2" (368)	29" (737)	14-3/4" (375)	4-1/16" (103)	4-7/16" (113)	24-9/16" (624)	23" (584)	11-1/8" (283)
DM58,FLANGED GATE VALVE,5.12-10K (RTJ-BX169)	14-1/2" (368)	29" (737)	14-1/16" (357)	4-1/16" (103)	4-7/16" (113)	24-9/16" (624)	23" (584)	11-1/8" (283)

** Dimensional values are reference. Custom and non-standard end connections will differ.

*** Butt Weld Schedules and dimensions per ANSI B36.10.

DM 22, 23, 25, 28, 35 & 38 SERIES GATE VALE - REPAIR KIT INFO

Minor Repair Kit Contents		
Description	Assy #	SD/SS/SG/HP Mat'l
Gate	Item 15	SD/SG - 316 S.S. HP/SG - 17-4
Seat	Item 16	SD - 70 A NBR, Steel SS - 70 A NBR, 316 S.S. SG/CS - 80 A HNBR, 17-4 SS/SG/HP - 80 A HNBR, 17-4
Bonnet Seal	Item 17	SD - 90 A NBR CS/SG/HP - 90 A HNBR

Major Repair Kit Contents*		
Description	Assy #	Standard Mat'l
Stem	Item 14	316 S.S.
Stem Seals	Item 12	Flourotrel**
Stem Screw	Item 9	Steel
Stem Screw Seal	Item 6	70 A NBR
Retainer Seal	Item 10	70 A NBR

* Major repair kit includes minor repair kit contents.
** Stem Seals are lipcup style with Viton Energizer

DM 45, 55, 48, 58 SERIES GATE VALE - REPAIR KIT INFO

Minor Repair Kit Contents		
Description	Assy #	SD/SS/SG/HP Mat'l
Gate	Item 15	SD/SG - 316 S.S. HP/SG - 17-4
Seat	Item 16	SD - 70 A NBR, Steel SS/SG/CS - 80 A HNBR, 17-4 SS/SG/CS/HP - 80 A HNBR, 17-4
Bonnet Seal	Item 17	SD/HP - 90 A NBR CS/SG/HP - 90 A HNBR

Major Repair Kit Contents*		
Description	Assy #	Standard Mat'l
Stem	Item 14	316 S.S.
Stem Seals	Item 12	Flourotrel**
Stem Screw Seal	Item 6	70 A NBR
Retainer	Item 11	Steel
Retainer Seal	Item 10	70 A NBR
Bearings	Item 18	Teflon
Downstop Ring	Item 8	Steel
Woodruff Key	Item 5	Steel

* Major repair kit includes minor repair kit contents.
** Stem Seals are lipcup style with Viton Energizer

SD - STANDARD
 SS - STAINLESS STEEL (SEAT INSERT)
 SG - SOUR GAS (H₂S)
 CS - COLD SERVICE (-40°F/C)
 HP - HIGH PRESSURE - 7,500 PSI (517 BAR)

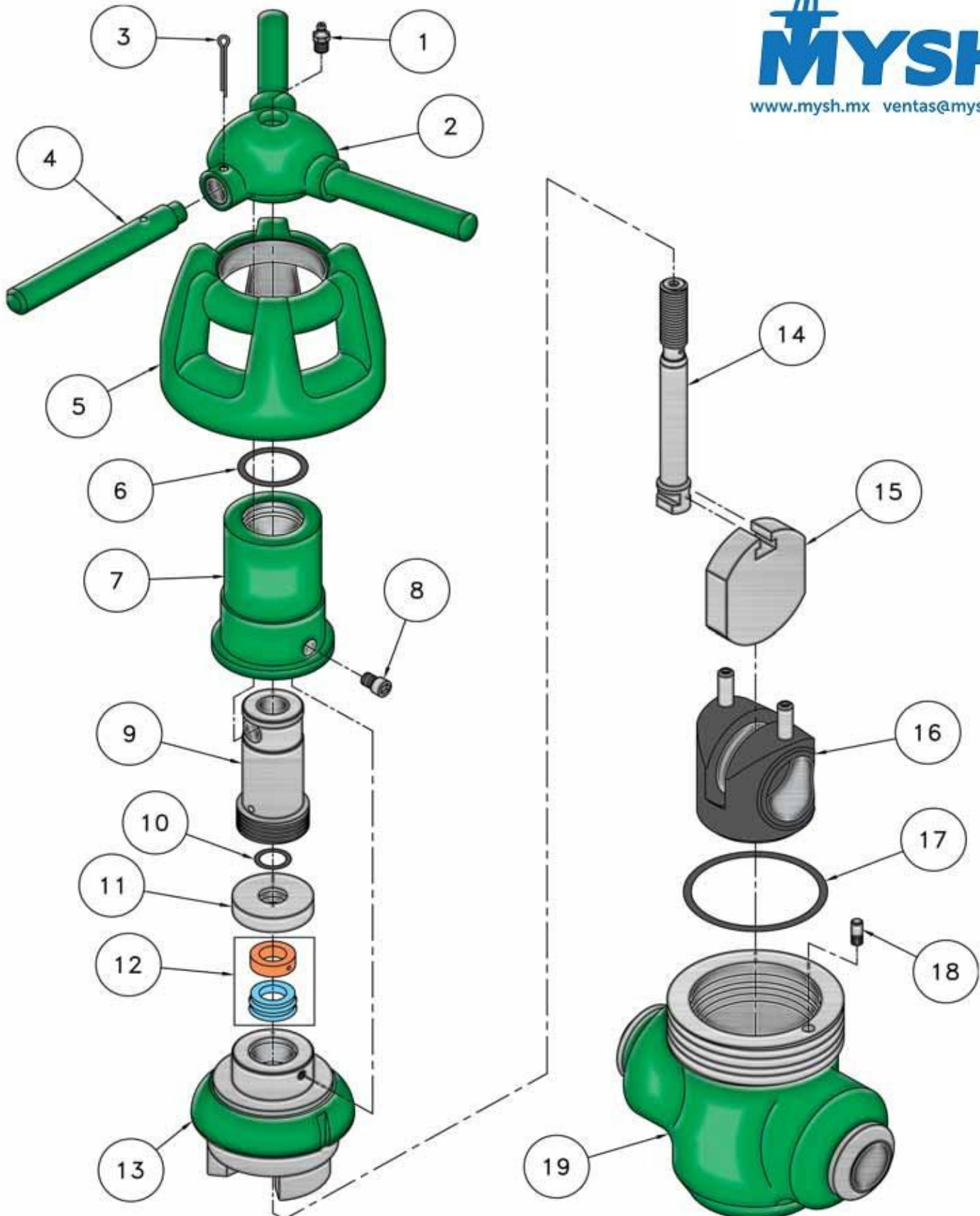
NBR - NITRILE
 HNBR - HYDROGENATED NITRILE
 A - DUROMETER SHORE A

DM SERIES GATE VALVE REPAIR KIT LIST

DESCRIPTION	OTECO PART NO.				WEIGHT Lbs. (kg)	GATE VALVE DM MODEL(S)
	SD	SS	SG	CS		
MINOR REPAIR KIT,DM25	160121	160120	160123	160123	3.7 (1.7)	22, 23, 25
MINOR REPAIR KIT,DM35	160131	160130	160133	160133	8.3 (3.8)	35
MINOR REPAIR KIT,DM38,HP	160137	160137	160136	160136	8.3 (3.8)	28,38
MINOR REPAIR KIT,DM45	160141	160143	160143	160143	15.9 (7.2)	45, 55
MINOR REPAIR KIT,DM48,HP	160147	160147	160146	160146	15.9 (7.2)	48,58
MAJOR REPAIR KIT,DM25	160122	160126	160124	160124	6.9 (3.1)	22, 23, 25
MAJOR REPAIR KIT,DM35	160132	160140	160134	160134	14 (6.4)	35
MAJOR REPAIR KIT,DM38,HP	160138	160138	160139	160139	14 (6.4)	28,38
MAJOR REPAIR KIT,DM45	160142	160144	160144	160144	25 (11.3)	45, 55
MAJOR REPAIR KIT,DM48,HP	160148	160148	160149	160149	25 (11.3)	48,58



www.mysh.mx ventas@mysh.mx



NO.	DESCRIPTION	OTECO PART #	H ₂ S PART #	WEIGHT Lbs.(kg)	GATE VALVE DM MODEL(S)
ASSY	HANDLE ASSEMBLY - (ITEMS 1,2,3,4)	160125	-----	5.7 (2.6)	22, 23, 25
1	LUBE FITTING	301616	-----	0.1 (0.05)	22, 23, 25
2	HANDLE - A536	160102	-----	4.6 (2.1)	22, 23, 25
3	PIN, LOCK HANDLE	301594	-----	0.1 (0.05)	22, 23, 25
4	LOCK HANDLE - STEEL	160112	-----	0.9 (0.4)	22, 23, 25
5	COUPLING - A487-4A	161325	-----	12.2 (5.5)	22, 23, 25
6	STEM SCREW SEAL - 70 A NBR	302740	-----	0.1 (0.05)	22, 23, 25
7	SCREW HOUSING - STEEL	161225	-----	3.5 (1.6)	22, 23, 25
8	LOCK SCREW	302751	-----	0.1 (0.05)	22, 23, 25
9	STEM SCREW - STEEL	161125	-----	1.9 (0.9)	22, 23, 25
10	RETAINER SEAL - 70 A NBR	302741	-----	0.1 (0.05)	22, 23, 25
11	RETAINER - STEEL	161302	-----	0.5 (0.2)	22, 23, 25
12	STEM SEAL ASSEMBLY,SD/SG FLOUROTREL W/BRONZE	160725	160725	0.2 (0.1)	22, 23, 25
13	BONNET - A487-4C	161425	161426	5.6 (2.5)	22, 23, 25
14	STEM,SD/SG - 316 S.S.	160425	160425	0.9 (0.4)	22, 23, 25
15	GATE,SD/SG - A351-CF8M (316 S.S.)	160325	160325	2 (0.9)	22, 23, 25
16	SEAT,SD,NBR - 70 A	161725	-----	1.6 (0.7)	22, 23, 25
	SEAT,SS,NBR - 70 A	161723	-----	1.6 (0.7)	22, 23, 25
	SEAT,SG/CS,HNBR - 80 A	161726	161726	1.6 (0.7)	22, 23, 25
17	BONNET SEAL,SD - 90 A NBR	302738	-----	0.1 (0.05)	22, 23, 25
	BONNET SEAL,SG - 90 A HNBR	-----	302763	0.1 (0.05)	22, 23, 25
18	INDEX PIN	161001	-----	0.1 (0.05)	22, 23, 25
19	BODY,SD,2" L.P.T. - A487-4C	160921		25.3 (11.5)	22, 23, 25
	BODY,SD,2" B.W. SCH.160 - A487-4C	160923		25.3 (11.6)	22, 23, 25
	BODY,SD,2" B.W. SCH.XXS - A487-4C	160924	160926	25.5 (11.6)	22, 23, 25
	BODY,SD,2-3/8" EUE 8RD. - A487-4C	160925		25.3 (11.6)	22, 23, 25

SD - STANDARD

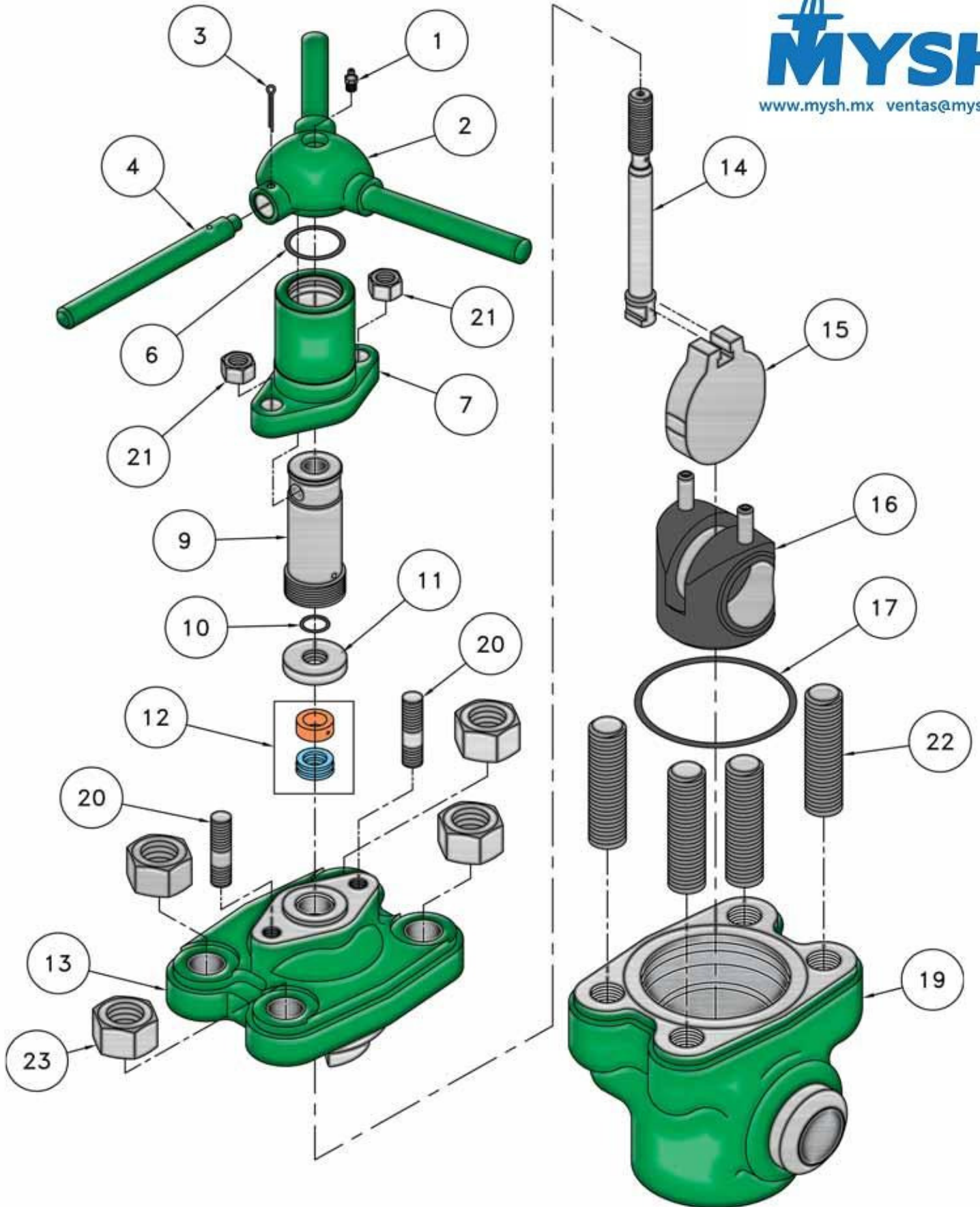
SS - STAINLESS STEEL

SG - SOUR GAS (H₂S)

CS - COLD SERVICE (-40°F/C)

NBR - NITRILE

HNBR - HYDROGENATED NITRILE



NO.	DESCRIPTION	OTECO PART #	H ₂ S PART #	WEIGHT Lbs.(kg)	GATE VALVE DM MODEL(S)
ASSY	HANDLE ASSEMBLY - (ITEMS 1,2,3,4)	160135	-----	8.1 (3.7)	35, 28, 38
1	LUBE FITTING	301616	-----	0.1 (0.05)	35, 28, 38
2	HANDLE - A536	160103	-----	6.5 (2.9)	35, 28, 38
3	PIN, LOCK HANDLE	301596	-----	0.1 (0.05)	35, 28, 38
4	LOCK HANDLE - STEEL	160113	-----	1.5 (0.7)	35, 28, 38
6	STEM SCREW SEAL - 70 A NBR	302746	-----	0.1 (0.05)	35, 28, 38
7	SCREW HOUSING - A216 WCC	161235	-----	5.8 (2.6)	35, 28, 38
9	STEM SCREW - STEEL	161135	-----	3.6 (1.6)	35, 28, 38
10	RETAINER SEAL - 70 A NBR	302755	-----	0.1 (0.05)	35, 28, 38
11	RETAINER - STEEL	161303	-----	0.5 (0.2)	35, 28, 38
12	STEM SEAL ASSEMBLY,SD/SG/HP FLOUROTREL W/BRONZE	160735	160735	0.2 (0.1)	35, 28, 38
13	BONNET - A487-4D	161435	161436	39 (17.7)	35, 28, 38
14	STEM,SD/SS/SG/HP - 316 S.S.	160435	160435	1.7 (0.8)	35, 28, 38
15	GATE,SD/SG - A351-CF8M (316 S.S.)	160335	160335	4.7 (2.1)	35
	GATE,HP/SG - A747-CB7Cu-1 (17-4)	160337	160337	4.7 (2.1)	28, 38
16	SEAT,SD,NBR - 70 A	161735	-----	3.5 (1.6)	35
	SEAT,SS,NBR - 70 A	161733	-----	3.5 (1.6)	35
	SEAT,HP/SG/SS/CS,HNBR - 80 A	161739	161739	3.5 (1.6)	35, 28, 38
17	BONNET SEAL,SD - 90 A NBR	302753	-----	0.1 (0.05)	35, 28, 38
	BONNET SEAL,SG - 90 A HNBR	-----	302764	0.1 (0.05)	35, 28, 38
19	BODY,SD,3" L.P.T. - A487-4D	160931		73 (33.1)	35
	BODY,SD/HP,3" B.W. SCH.160 - A487-4D	160933		73 (33.1)	35, 38
	BODY,SD/HP,3" B.W. SCH.XXS - A487-4D	160934	160937	74 (33.6)	35, 38
	BODY,HP,2" B.W. SCH.XXS - A487-4D	160935	160936	70 (31.8)	28
20	BONNET STUD	160535	-----	0.3 (0.14)	35, 28, 38
21	BONNET STUD NUT	160635	-----	0.2 (0.1)	35, 28, 38
22	BODY STUD	161535	-----	2 (0.9)	35, 28, 38
23	BODY STUD NUT	161635	-----	1 (0.5)	35, 28, 38

SD - STANDARD

SS - STAINLESS STEEL

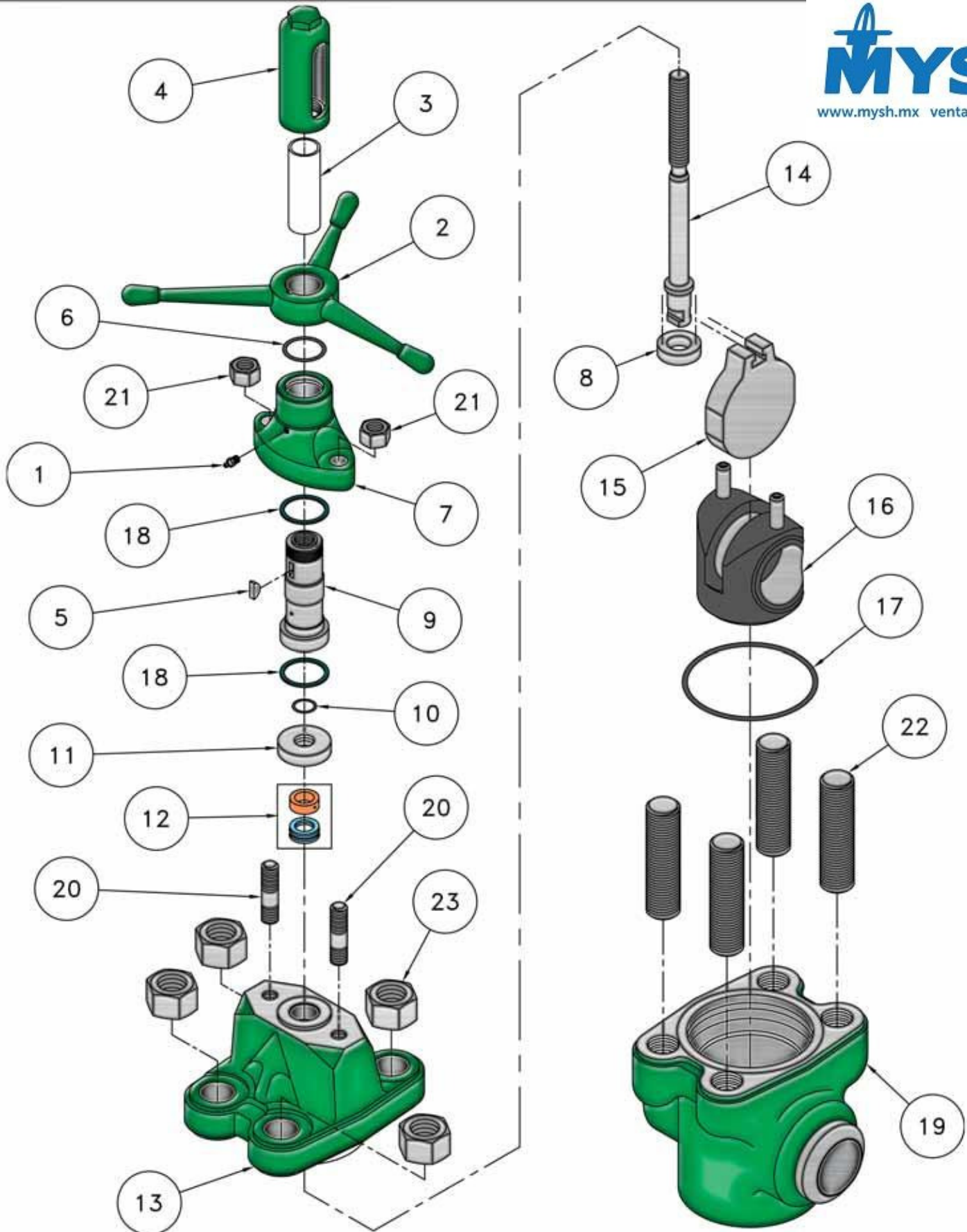
CS - COLD SERVICE (-40°F/C)

HP - HIGH PRESSURE - 7,500 PSI (517 BAR)

SG - SOUR GAS (H₂S)

NBR - NITRILE

HNBR - HYDROGENATED NITRILE



NO.	DESCRIPTION	OTECO PART #	H ₂ S PART #	WEIGHT Lbs.(kg)	GATE VALVE DM MODEL(S)
1	LUBE FITTING	301616	-----	0.1 (0.05)	45, 55, 48, 58
2	HANDLE - A536	160104	-----	8.4 (3.8)	45, 55, 48, 58
3	TUBE	160110	-----	0.1 (0.05)	45, 55, 48, 58
4	STEM CAP - A536	160114	-----	3 (1.4)	45, 55, 48, 58
5	KEY - #1008 WOODRUFF	160115	-----	0.1 (0.05)	45, 55, 48, 58
6	STEM SCREW SEAL - 70 A NBR	302746	-----	0.1 (0.05)	45, 55, 48, 58
7	SCREW HOUSING - A216 WCC	161245	-----	8 (3.6)	45, 55, 48, 58
8	DOWNSTOP RING - STEEL	161014	-----	0.5 (0.2)	45, 55, 48, 58
9	STEM SCREW - STEEL	161145	-----	3.7 (1.7)	45, 55, 48, 58
10	RETAINER SEAL - 70 A NBR	302747	-----	0.1 (0.05)	45, 55, 48, 58
11	RETAINER - STEEL	161304	-----	0.9 (0.4)	45, 55, 48, 58
12	STEM SEAL ASSEMBLY,SD/SG/HP FLOUROTREL W/BRONZE	160745	160745	0.2 (0.1)	45, 55, 48, 58
13	BONNET - A487-4D	161445	161446	68 (31)	45, 55, 48, 58
14	STEM,SD/SS/SG/HP - 316 S.S.	160445	160445	3.4 (1.5)	45, 55, 48, 58
15	GATE,SD/SS/SG - A351-CF8M (316 S.S.)	160345	160345	9 (4.1)	45, 55
	GATE,HP/SS/SG - A747-CB7Cu-1 (17-4)	160347	160347	9 (4.1)	48, 58
16	SEAT,SD,NBR - 70 A	161745	-----	6.8 (3.1)	45, 55
	SEAT,HP/SS/SG/CS,HNBR - 80 A	161749	161749	6.8 (3.1)	45, 55, 48, 58
17	BONNET SEAL,SD - 90 A NBR	302744	-----	0.1 (0.05)	45, 55, 48, 58
	BONNET SEAL,SG - 90 A HNBR	-----	302765	0.1 (0.05)	45, 55, 48, 58
18	BEARING	161000	-----	0.1 (0.05)	45, 55, 48, 58
19	BODY,SD,4" L.P.T. - A487-4D	160941		107 (49)	45
	BODY,SD/HP,4" B.W. SCH.160 - A487-4D	160943		105 (48)	45, 55, 48, 58
	BODY,SD/HP,4" B.W. SCH.XXS - A487-4D	160944		107 (49)	45, 55, 48, 58
	BODY,SD/HP,4-1/2" LCSG - A487-4D	160947		107 (49)	45, 55, 48, 58
	BODY,SD/HP,5" B.W. SCH.XXS - A487-4D	160945	160946	110 (50)	45, 55, 48, 58
20	BONNET STUD	160545	-----	0.5 (0.2)	45, 55, 48, 58
21	BONNET STUD NUT	160645	-----	0.3 (0.14)	45, 55, 48, 58
22	BODY STUD	161545	-----	4.3 (2.0)	45, 55, 48, 58
23	BODY STUD NUT	161645	-----	2 (0.9)	45, 55, 48, 58

SD - STANDARD

SS - STAINLESS STEEL

CS - COLD SERVICE (-40°F/C)

HP - HIGH PRESSURE - 7,500 PSI

SG - SOUR GAS (H₂S)

NBR - NITRILE

HNBR - HYDROGENATED NITRILE

MOST COMMON DM SERIES GATE VALVE ASSEMBLIES LIST

DESCRIPTION	OTECO PART NO.	WEIGHT Lbs.(kg)
GATE VALVE,DM,22,SD,2" L.P.T.	152201	60 (27)
GATE VALVE,DM,22,SD,2" B.W. SCH.160	152203	60 (27)
GATE VALVE,DM,22,SD,2" B.W. SCH.XXS	152204	60 (27)
GATE VALVE,DM,23,SD,2" L.P.T.	152301	60 (27)
GATE VALVE,DM,23,SD,2-3/8" EUE	152305	60 (27)
GATE VALVE,DM,23,SD,2" B.W. SCH.160	152303	60 (27)
GATE VALVE,DM,23,SD,2" B.W. SCH.XXS	152304	60 (27)
GATE VALVE,DM,25,SD,2" L.P.T.	152501	60 (27)
GATE VALVE,DM,25,SD,2-3/8" EUE	152505	60 (27)
GATE VALVE,DM,25,SD,2" B.W. SCH.160	152503	60 (27)
GATE VALVE,DM,25,SD,2" B.W. SCH.XXS	152504	60 (27)
GATE VALVE,DM,25,SG,2" B.W. SCH.XXS	152506	60 (27)
GATE VALVE,DM,28,HP,SD,2" B.W. SCH.XXS	152804	151 (68)
GATE VALVE,DM,28,HP,SG,2" B.W. SCH.XXS	152805	151 (68)
GATE VALVE,DM,35,SD,3" L.P.T.	153501	154 (70)
GATE VALVE,DM,35,SD,3" B.W. SCH.160	153503	154 (70)
GATE VALVE,DM,35,SD,3" B.W. SCH.XXS	153504	155 (70)
GATE VALVE,DM,35,SG,3" B.W. SCH.XXS	153505	155 (70)
GATE VALVE,DM,38,HP,SD,3" B.W. SCH.XXS	153804	155 (70)
GATE VALVE,DM,38,HP,SG,3" B.W. SCH.XXS	153805	155 (70)
GATE VALVE,DM,45,SD,4" L.P.T.	154501	246 (112)
GATE VALVE,DM,45,SD,4-1/2" LCSG	154505	246 (112)
GATE VALVE,DM,45,SD,4" B.W. SCH.160	154503	244 (111)
GATE VALVE,DM,45,SD,4" B.W. SCH.XXS	154504	246 (112)
GATE VALVE,DM,55,SD,5" B.W. SCH.XXS	155504	249 (113)
GATE VALVE,DM,55,SG,5" B.W. SCH.XXS	155505	249 (113)
GATE VALVE,DM,48,HP,SD,4" B.W. SCH.XXS	154804	246 (112)
GATE VALVE,DM,58,HP,SD,5" B.W. SCH.XXS	155804	249 (113)
GATE VALVE,DM,58,HP,SG,5" B.W. SCH.XXS	155805	249 (113)

**Recommended Maximum Working Pressure (WP) and
Shell Test Pressure (TP) by End Connection PSI (BAR)**

END CONNECTION	2.000" PORT (50.8 mm)			3.000" PORT (76.2 mm)			4.09" PORT (103.9 mm)			
	DM22	DM23	DM25	DM28	DM35	DM38	DM45	DM48	DM55	DM58
(WP)	2,000 (138)	3,000 (207)	5,000 (345)	7,500 (517)	5,000 (345)	7,500 (517)	5,000 (345)	7,500 (517)	5,000 (345)	7,500 (517)
Line Pipe Thread (TP)	4,000 (276)	6,000 (414)	10,000 (689)	NA NA	7,500 (517)	NA NA	7,500 (517)	NA NA	NA NA	NA NA
8RD. Short/Long Casing (TP)	NA NA	NA NA	NA NA	NA NA	NA NA	NA NA	10,000 (689)	11,250 (776)	NA NA	NA NA
Butt Weld SCH.160 (TP)	4,000 (276)	6,000 (414)	7,500 (517)	NA NA	7,500 (517)	NA NA	7,500 (517)	NA NA	7,500 (517)	NA NA
Butt Weld SCH.XXS (TP)	4,000 (276)	6,000 (414)	10,000 (689)	11,250 (776)	10,000 (689)	11,250 (776)	10,000 (689)	11,250 (776)	10,000 (689)	11,250 (776)
RTJ Flange (API) (TP)	4,000 (276)	6,000 (414)	10,000 (689)	11,250 (776)	10,000 (689)	11,250 (776)	10,000 (689)	11,250 (776)	10,000 (689)	11,250 (776)

Color coded models match their representational charts.

Directional leak test is performed at the Working Pressure (WP).

7,500 PSI (WP) Flange end connect utilizes 10,000 PSI RTJ Flange.

NA - Not Applicable





www.mysh.mx ventas@mysh.mx

For over 60 years OTECO, Inc. has been providing high quality oilfield equipment to the worldwide oil and gas markets.

Operating from our modern 120,000 square foot manufacturing facility in Houston, Texas, OTECO continues to provide products to the high quality standards for which we are known.

OTECO, Inc.



2828 Trout St.
Houston, Texas 77093-5546

Phone: 713-695-3693
Fax: 713-695-3520
Web Address: <http://www.OTECO.com>
E-mail: Sales@OTECO.com