

RIG HARDWARE

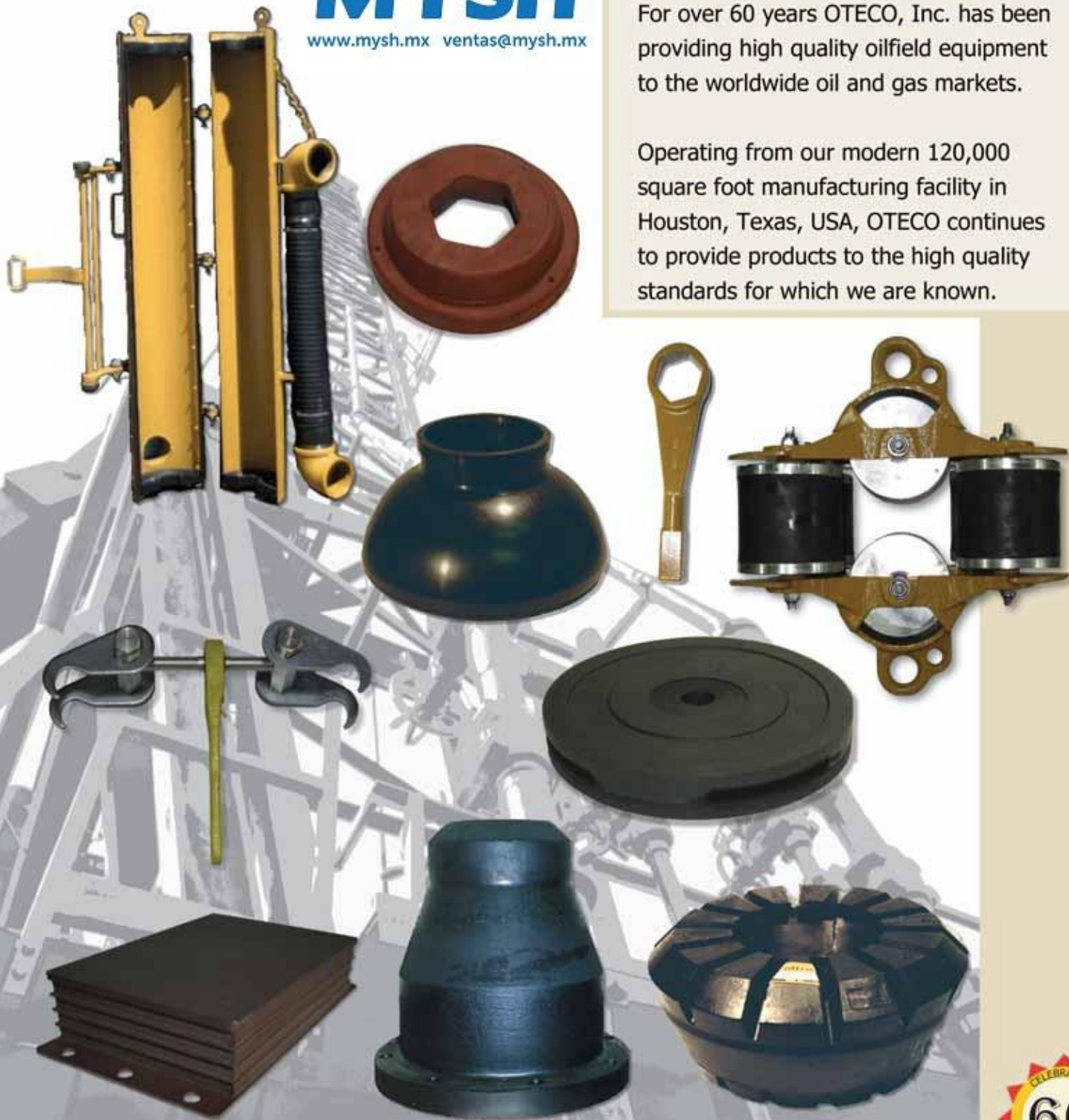


MYSH

www.mysh.mx ventas@mysh.mx

For over 60 years OTECO, Inc. has been providing high quality oilfield equipment to the worldwide oil and gas markets.

Operating from our modern 120,000 square foot manufacturing facility in Houston, Texas, USA, OTECO continues to provide products to the high quality standards for which we are known.



<http://www.OTECO.com>





Oteco provides replacement packing units and seals for the Hydril type "GKM", "GK" and "MSP" blowout preventers. These items are available in natural, neoprene and nitrile rubber compounds. Each unit is functionally tested prior to shipment.

ITEM DESCRIPTION	WORKING PRESSURE		OTECO ITEM NUMBER			WEIGHT		SEAL KIT	WEIGHT	
	PSI	(BAR)	NR	NBR	CR	Lbs	(kg)		Lbs	(kg)
HYDRIL,ANNULAR,7-1/16",87013	3,000	(206.8)	210731	210732	210733	125	(56.7)	220730	11	(5.0)
HYDRIL,ANNULAR,7-1/16",76603	5,000	(344.7)	210751	210752	210753	155	(70.3)	220750	12	(5.4)
HYDRIL,ANNULAR,9",30623	3,000	(206.8)	210931	210932	210933	168	(76.2)	220930	14	(6.4)
HYDRIL,ANNULAR,11",81813	3,000	(206.8)	211131	211132	211133	250	(113.4)	221130	14	(6.4)
HYDRIL,ANNULAR,11",10413	5,000	(344.7)	211151	211152	211153	355	(161.0)	221150	16	(7.3)
HYDRIL,ANNULAR,13-5/8",23703	3,000	(206.8)	211331	211332	211333	400	(181.4)	221330	17	(7.7)
HYDRIL,ANNULAR,13-5/8",84183	5,000	(344.7)	211351	211352	211353	535	(242.7)	221350	19	(8.6)
HYDRIL,ANNULAR,21-1/4",57373	2,000	(137.9)	212121	212122	212123	935	(424.1)	222120	32	(14.5)

NR - NATURAL RUBBER, NBR - NITRILE, CR - NEOPRENE

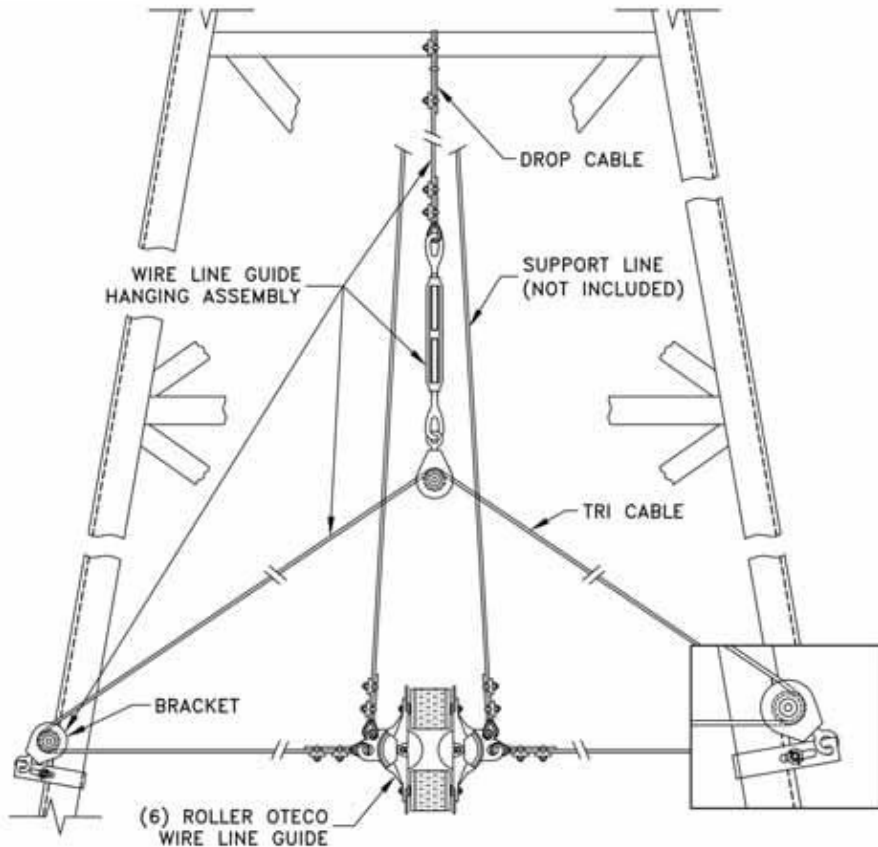
LATCH HEAD SEAL KIT AVAILABLE FOR 13-5/8-5K - # 221355



Regan type "K" blowout preventers are designed to contract around any part of the drill string when pressure is applied. Molded from nitrile rubber compound for use with oil base or water base drilling fluids.

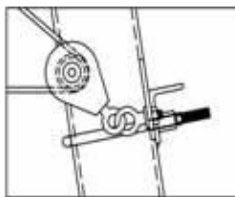
ITEM DESCRIPTION	WORKING PRESSURE		NBR ITEM #	WEIGHT	
	PSI	(BAR)		Lbs	(kg)
REGAN,ANNULAR,TYPE-K,8-5/8"	3,000	(206.8)	242508	108	(50.0)
REGAN,ANNULAR,TYPE-K,10-3/4"	3,000	(206.8)	242510	210	(95.3)

NBR - NITRILE

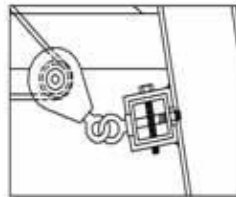


**OTECO (6) ROLLER
G-10-S & G-102-S
WIRE LINE GUIDE**

**GF-32
Angle**



**GF-34
GF-36
Beam**



**GF-37
Beam**



**GF-33
Angle**

ITEM DESCRIPTION	MAXIMUM WIRELINE	OTECO ITEM #	WEIGHT Lbs	(kg)
G-10-S WIRE LINE GUIDE ASSEMBLY WITH (6) ROLLERS	1-1/2"	431101	65	(29.5)
G-102-S WIRE LINE GUIDE ASSEMBLY WITH (6) ROLLERS	2"	431122	63	(28.6)

Replacement parts for OTECO G10S/G102S, BJ Roliguide and Turnback assemblies on back of page.

ITEM DESCRIPTION	MOUNTING BRACKET INFORMATION				3/8" CABLE TRI	OTECO ITEM #	Wt. LBS
	MAST TYPE	BEAM SIZE	LENGTH	ADJUSTMENTS HOLES SPACING			
HANGING ASSY,GF-32	ANGLE	6"x5-1/2"x3/8"	FLUSH MOUNT BRACKET		60'	4' - 4"	431932 48
HANGING ASSY,GF-33	ANGLE	6" to 8"	3' - 0"	5 1-1/4"	62'	6' - 4"	431933 107
HANGING ASSY,GF-34	BEAM	8"x10-3/4"	4' - 7"	5 1-1/4"	65'	4' - 4"	431934 107
HANGING ASSY,GF-36	BEAM	12-1/4"x12-3/4"	3' - 9 3/4"	5 1-1/4"	63'	4' - 4"	431936 104
HANGING ASSY,GF-37	BEAM	WELDED	TELESCOPE	5 3"	58'	4' - 4"	431937 160

Wire Line Guide Hanging assemblies utilize 3/8" wire cable.

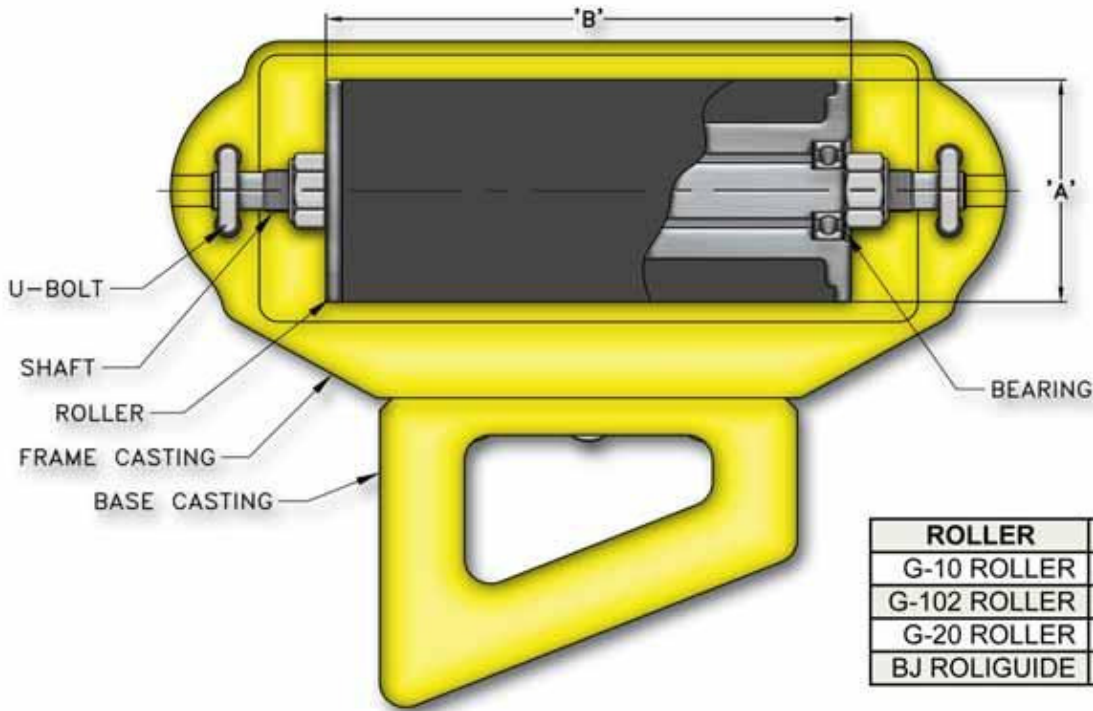
Assemblies include: mounting brackets & hardware, 3/8" tri-wire cable, pulleys and drop cable assembly.

3/8" wire cable Support Line not included in assemblies.

All assemblies utilize (3) HF-4 hayfork pulleys.

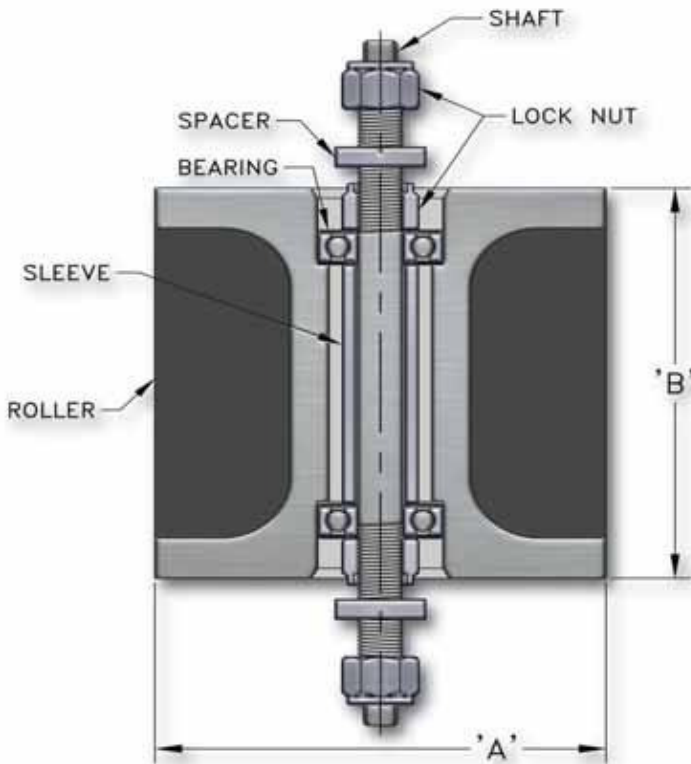
All assemblies listed use triangular method.

OTECO G-20-H WIRE LINE TURNBACK ASSEMBLY

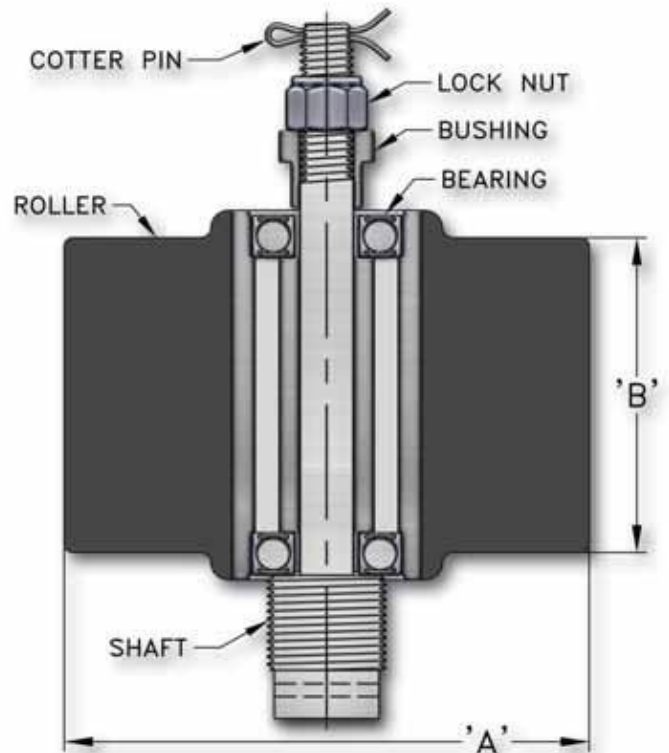


ROLLER	'A'	'B'
G-10 ROLLER	5"	4-7/8"
G-102 ROLLER	4-1/2"	4-7/8"
G-20 ROLLER	4-1/2"	10-1/16"
BJ ROLIGUIDE	5-1/2"	3-15/32"

OTECO G-10 & G-102 ROLLER ASSEMBLY



BJ ROLIGUIDE ROLLER ASSEMBLY



OTECO G-10 WIRE LINE GUIDE ROLLER		OTECO	WEIGHT	
5" DIAMETER ROLLER FOR 1-1/2" MAXIMUM WIRE LINE		ITEM #	Lbs	(kg)
ROLLER (COMPLETE ASSEMBLY) - (6) REQUIRED		431111	5.8	(2.6)
SHAFT, SLEEVE, SPACERS (2), LOCK NUTS (2) & BEARINGS (2)		431112	1.1	(0.5)
SHAFT, SLEEVE, SPACERS (2) & LOCK NUTS (2)		431113	0.9	(0.4)
BEARINGS (2)		431114	0.3	(0.1)

(6) Rollers required for G-10-S Wire Line Guide assembly

OTECO G-102 WIRE LINE GUIDE ROLLER		OTECO	WEIGHT	
4-1/2" DIAMETER ROLLER FOR 2" MAXIMUM WIRE LINE		ITEM #	Lbs	(kg)
ROLLER (COMPLETE ASSEMBLY) - (6) REQUIRED		431121	5.5	(2.5)
SHAFT, SLEEVE, SPACERS (2), LOCK NUTS (2) & BEARINGS (2)		431112	1.1	(0.5)
SHAFT, SLEEVE, SPACERS (2) & LOCK NUTS (2)		431113	0.9	(0.4)
BEARINGS (2)		431114	0.3	(0.1)

BJ ROLIGUIDE WIRE LINE GUIDE ROLLER		OTECO	WEIGHT	
5-1/2" DIAMETER ROLLER FOR 2" MAXIMUM WIRE LINE		ITEM #	Lbs	(kg)
ROLLER (COMPLETE ASSEMBLY) - (8) REQUIRED		431560	6.4	(2.9)
ROLLER & BEARINGS (2)		431550	5.5	(2.5)
SHAFT		431540	0.8	(0.4)
BUSHING		431520	0.1	(0.5)
LOCK NUT		431570	0.1	(0.5)
COTTER PIN		301319	0.1	(0.5)

OTECO G-20-H WIRE LINE TURNBACK ASSEMBLY		OTECO	WEIGHT	
DRILLERS SIDE - RIGHT HAND & OFF DRILLERS SIDE - LEFT HAND		ITEM #	Lbs	(kg)
G-20-H TURNBACK ASSEMBLY (DRILLERS & OFF DRILLERS SIDE)		431201	100	(45.4)
G-20-H'(R) TURNBACK ASSEMBLY - DRILLERS SIDE		431202	50	(22.7)
G-20-H'(L) TURNBACK ASSEMBLY - OFF DRILLERS SIDE		431203	50	(22.7)
ASSEMBLY LESS BASE CASTING		431204	38	(17.2)
BASE CASTING - DRILLERS SIDE		431212	12	(5.4)
BASE CASTING - OFF DRILLERS SIDE		431213	12	(5.4)
FRAME CASTING		431214	25	(11.3)
U-BOLT SET - (2) U-BOLTS, (4) NUTS & WASHERS		431215	0.3	(0.1)
BEARING SET - (2) BEARINGS		431216	0.5	(0.2)
SHAFT		431217	3.3	(1.5)
SHAFT & BEARINGS SET - (1) SHAFT, (2) BEARINGS & LOCK NUTS		431218	4.3	(2.0)

OTECO G-20 WIRE LINE TURNBACK ROLLER		OTECO	WEIGHT	
		ITEM #	Lbs	(kg)
G-20 TURNBACK ROLLER (COMPLETE ASSEMBLY)		431211	11.8	(5.4)

OTECO G-20-N WIRE LINE TURNBACK ROLLER		OTECO	WEIGHT	
FOR NATIONAL 1320 UE JAPANESE DRAW-WORKS		ITEM #	Lbs	(kg)
G-20-N TURNBACK ROLLER (COMPLETE ASSEMBLY)		431219	12	(5.4)
COUPLING FOR G-20-N - (2) REQUIRED		431225	0.1	(0.5)

Coupling adapts standard G-20 Turnback Roller for G-20-N

Oteco Pipe Wipers are manufactured in our Houston, Texas, USA facility ensuring quality rubber compounds. Specially compounded, structurally reinforced and bonded for longer life and greater resistance to tearing.



Oteco Double Pipe Wipers are molded in natural rubber, nitrile (red) or neoprene. 14", 17" & 19" offered in solid, split or split rap-a-round form. 22" offered in split rap-a-round form only.

WIPER DIA.	PIPE SIZES	WEIGHT	
		Lbs	(kg)
22"	2-3/8", 2-7/8", 3-1/2", 4", 4-1/2", 5", 5-1/2", 5-7/8", 6-5/8"	30	(13.6)
19"	2-3/8", 2-7/8", 3-1/2", 4", 4-1/2", 5", 5-1/2", 5-7/8", 6-5/8"	23	(10.4)
17"	2-3/8", 2-7/8", 3-1/2", 4", 4-1/2", 5", 5-1/2", 5-7/8", 6-5/8", 7"	22	(10.0)
14"	2-3/8", 2-7/8", 3-1/2", 4", 4-1/2", 5", 5-1/2", 6-5/8"	15	(6.8)



Oteco Single Pipe Wipers are molded in natural rubber, nitrile (red) or neoprene. Made in solid form with a hard core.

WIPER DIA.	PIPE SIZES	WEIGHT	
		Lbs	(kg)
24"	2-3/8", 2-7/8", 3-1/2", 4", 4-1/2", 5", 5-1/2", 5-7/8", 6-5/8"	22	(10.0)
19"	2-3/8", 2-7/8", 3-1/2", 4", 4-1/2", 5", 5-1/2", 5-7/8", 6-5/8"	15	(6.8)
17"	BLIND, 2-3/8", 2-7/8", 3-1/2", 4", 4-1/2", 5", 5-1/2", 6-5/8"	12	(5.4)
14"	2-3/8", 2-7/8", 3-1/2", 4", 4-1/2", 5", 5-1/2", 6-5/8"	7	(3.2)
12"	2-3/8", 2-7/8", 3-1/2", 4", 4-1/2", 5", 5-1/2"	6	(2.7)
9"	BLIND, 2-3/8", 2-7/8", 3-1/2", 4", 4-1/2"	3	(1.7)



Oteco Handle Bar Pipe Wipers are steel reinforced offered in natural rubber.

WIPER DIA.	PIPE SIZES	WEIGHT	
		Lbs	(kg)
10"	2-3/8", 2-7/8", 3-1/2", 4", 4-1/2"	9	(4.1)

* Oval pipewipers available upon request.

OTECO Kelly Wipers are made from the same high quality rubber that is found in all other OTECO pipe wipers. Reinforced with a securely bonded metal ring. Kelly Wipers are suited to rugged use. The clean wiping action helps prolong the life of the Kelly Drive Bushing.



ITEM DESCRIPTION	WIPER O.D.	DRIVE PIPE	PIPE SIZE	COMPOUND		WEIGHT	
				NR	NBR	Lbs	(kg)
KELLY WIPER	8-3/8"	HEX	3"	255230	-----	2.9	(1.3)
KELLY WIPER	8-3/8"	HEX	3-1/2"	255235	-----	2.8	(1.3)
KELLY WIPER	8-3/8"	HEX	4-1/4"	255242	-----	2.4	(1.1)
KELLY WIPER	8-3/8"	HEX	5-1/4"	255252	-----	2.2	(1.0)
KELLY WIPER	8-3/8"	SQUARE	3"	255130	-----	2.9	(1.3)
KELLY WIPER	8-3/8"	SQUARE	3-1/2"	255135	-----	2.8	(1.3)
KELLY WIPER	8-3/8"	SQUARE	4-1/4"	255142	-----	2.6	(1.2)
KELLY WIPER	8-3/8"	SQUARE	5-1/4"	255152	-----	2.4	(1.1)
KELLY WIPER	10"	HEX	3"	256230	-----	3.9	(1.8)
KELLY WIPER	10"	HEX	3-1/2"	256235	256236	3.8	(1.7)
KELLY WIPER	10"	HEX	4-1/4"	256242	256243	3.4	(1.5)
KELLY WIPER	10"	HEX	5-1/4"	256252	256253	3.0	(1.4)
KELLY WIPER	10"	HEX	6"	256260	-----	2.8	(1.3)
KELLY WIPER	10"	SQUARE	3"	256130	-----	4.0	(1.8)
KELLY WIPER	10"	SQUARE	3-1/2"	256135	256136	3.8	(1.7)
KELLY WIPER	10"	SQUARE	4-1/4"	256142	-----	3.6	(1.6)
KELLY WIPER	10"	SQUARE	5-1/4"	256152	-----	3.4	(1.5)
KELLY WIPER	10"	SQUARE	6"	256160	-----	3.0	(1.4)

NR - NATURAL RUBBER, NBR - NITRILE
 KELLY WIPERS INTERFERE 1/2" WITH PIPE.
 ONLY MOST COMMON SIZES AND COMPOUNDS ARE LISTED.



SHAFFER combination rotating BOP and stripper, offered in natural rubber or nitrile compounds for water and oil base drilling fluids. Manufactured in our Houston, Texas, USA facility since 1968 ensures a quality product that continues to meet the rugged durability that riggers require.

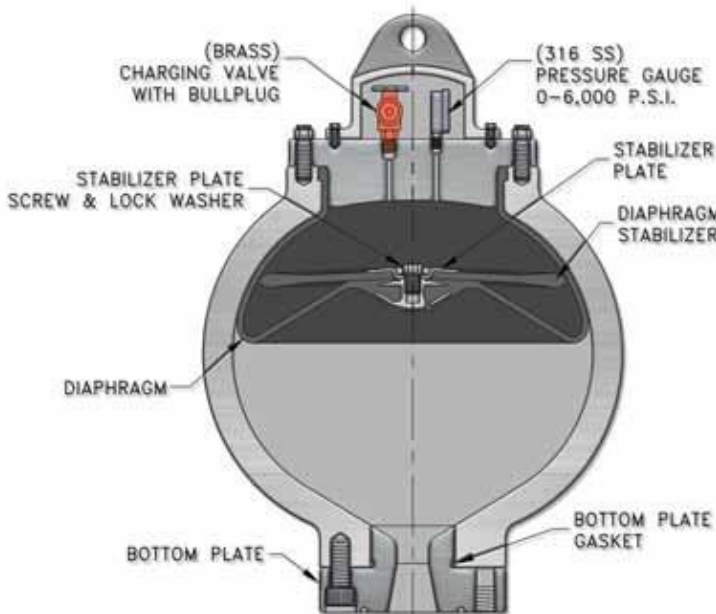
ROTATING BOP & STRIPPER	SHAFFER TYPE 50, 74, 79					SHAFFER TYPE 51		
	469	708	709	9013	11113	15506	15600	15700
MIN. DRILL PIPE	2-3/8"	3-1/2"	3-1/2"	4-1/2"	5-1/2"	2-3/8"	2-7/8"	3-1/2"
MAX. DRILL PIPE	3-1/2"	4-1/2"	4-1/2"	5-1/2"	6-5/8"	2-7/8"	2-7/8"	3-1/2"
MAX. PIPE EXP.	6-1/2"	6-1/2"	8"	8"	8"	5"	5"	5"
COMPOUND NR	241101	241102	241103	241104	241105	241155	241156	241157
COMPOUND NBR	241401	241402	241403	241404	241405	241455	241456	241457
WEIGHT Lbs	60	60	80	80	80	21	21	20
WEIGHT (kg)	(27.2)	(27.2)	(36.3)	(36.3)	(36.3)	(9.5)	(9.5)	(9.1)

NR - NATURAL RUBBER, NBR - NITRILE
 TYPE 50 LIP SEAL, NEOPRENE WITH FABRIC - 241136

Rotating BOP & Tubing Stripper Rubbers

Oteco manufactures a wide range of models and sizes of rotating BOP and tubing stripper rubbers for the following list:

- Beaumont Iron Works PX-70 & PX-107
- Cameron Petromec QD
- Grant 7068
- Guiberson Type J2
- Hillerman Kelley Type HK
- Hinderliter Type SS, 4-S & 4-1
- Hydril Type RS
- Larkin Type K & SR
- Norris Hinderliter 4-1
- Oil Center Tool Type T-16
- Williams 3 lug



OTECO manufactures most HYDRIL & MATTCO K10 & K20 Pulsation Dampener replacement parts. From single piece molded diaphragms to bottom flanges. Diaphragms are available in 1,500 PSI, 3,000 PSI, 5,000 PSI & 7,500 PSI.

OTECO also offers Continental Emsco PD-55 Diaphragms - P/N 230085.

DESCRIPTION	MODEL	WEIGHT		MODEL	WEIGHT	
		K10	Lbs (kg)		K20	Lbs (kg)
(0-5,000 PSI) NBR DIAPHRAGM	230110	14	(6.4)	230010	22	(10)
(0-7,500 PSI) HNBR DIAPHRAGM	-----	-----	-----	230012	22	(10)
*NBR DIAPHRAGM STABILIZER	230120	9	(4.1)	230020	9	(4.1)
*STABILIZER PLATE	230030	1.5	(0.7)	230030	1.5	(0.7)
*SCREW	230140	0.6	(0.3)	230040	0.6	(0.3)
*LOCK WASHER	230150	0.1	(0.05)	230050	0.1	(0.05)
PRESSURE GAUGE (0-6,000 P.S.I.)	230060	0.5	(0.2)	230060	0.5	(0.2)
CHARGING VALVE AND BULLPLUG	230070	1.2	(0.5)	230070	1.2	(0.5)
BOTTOM PLATE GASKET	230080	0.1	(0.05)	230080	0.1	(0.05)
BOTTOM PLATE 4.06"-5,000 R39	-----	-----	-----	123754	79	(35.8)

* OPTIONAL FOR 1,500 P.S.I. PRESSURE RANGE
NBR - NITRILE, HNBR - HYDROGENATED NITRILE

OTECO balancing straps keep center-latch elevators balanced in any position. This makes elevators easier to handle, reducing fatigue. The balancing strap attaches to the link with a U-bolt assembly. The twisted metal loop at the other end of the balancing strap attaches to the elevator handle.



OTECO tong pull-back straps act as a rubber spring to automatically reposition tongs to the side of the floor between each makeup or break-out. Hook one loop of the tong strap over the tong line pin at the end of a manual tong arm. Secure the other end loop with a mooring line to a convenient location. The pull-back needs only to be stretched slightly for proper operation.



Maximum pulling capacity: 500 Lbs tensile strength

DESCRIPTION	ITEM #	WEIGHT	
		Lbs	(kg)
BALANCING STRAP ASSEMBLY FOR UP TO 2-3/4" LINKS USED ON 150, 250, 350 TON BALES	280101	5.6	(2.5)
BALANCING STRAP ONLY (LESS CLAMP & U-BOLT ASSEMBLY)	280102	2.0	(0.9)
2-3/4" CLAMP	280103	2.6	(1.2)
2-3/4" U-BOLT WITH NUTS & LOCK WASHERS (U-BOLT MEASURES 4-1/4" CENTER TO CENTER)	280104	1.0	(0.5)
BALANCING STRAP ASSEMBLY FOR 3-1/2" LINKS USED ON 500 TON BALES	280105	6.0	(2.7)
BALANCING STRAP ONLY (LESS CLAMP & U-BOLT ASSEMBLY)	280102	2.0	(0.9)
3-1/2" CLAMP	280106	2.8	(1.3)
3-1/2" U-BOLT WITH NUTS & LOCK WASHERS (U-BOLT MEASURES 5-1/4" CENTER TO CENTER)	280107	1.2	(0.5)
TONG PULL-BACK STRAP	280121	2.5	(1.1)

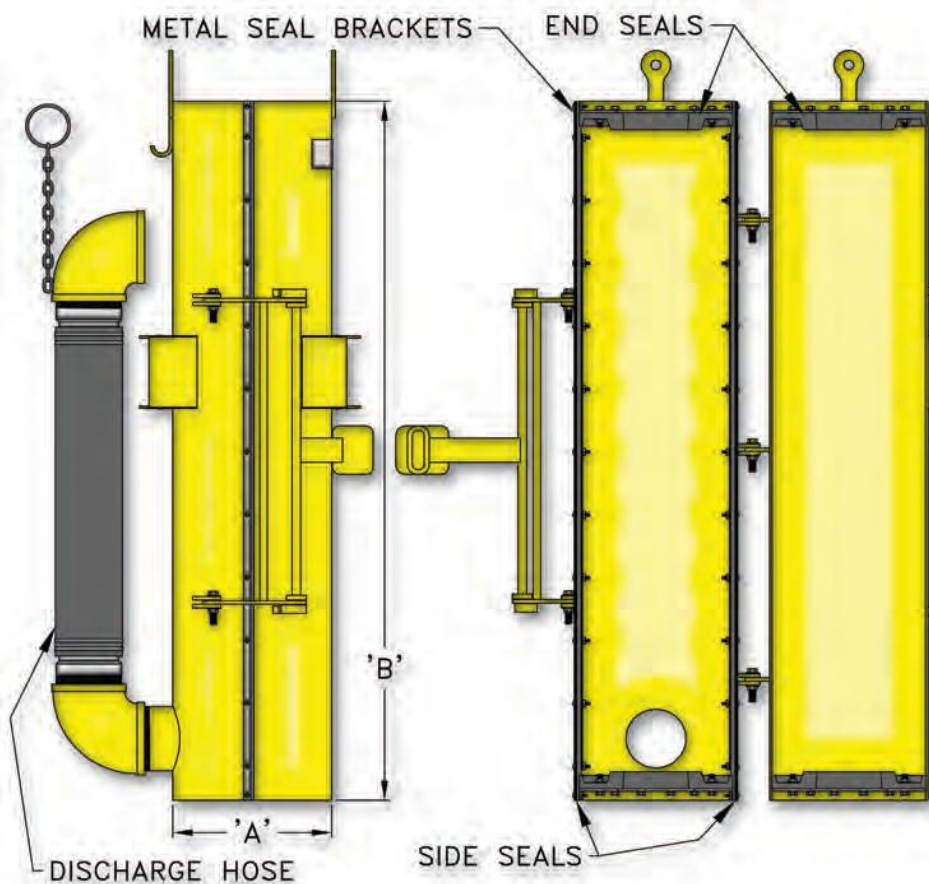


OTECO manufactures Shock Pads for offshore rig jacking systems. Each pad is made with specially formulated rubber, molded between layers of corrosion resistant steel plates and is tested under load prior to shipment. This product is available upon request only and is custom manufactured to meet your specific requirements.

OTECO Mud Guards come in three sizes. The MG-500 is the lightweight oil guard with a 3" standard outlet end connection, the MG-600 is a full size mud guard with a 4" or 5" standard outlet end connection, the MG-800 is the extra large capacity mud guard with a 6" standard outlet end connection. Our mud guards have proven cost effective in saving the expense of lost drilling fluids, reduced labor for rig wash down as well as reducing the potential for accidents due to slippery rig floors.

MODELS	DIMENSIONS		WEIGHT		OUTLET END
	"A"	"B"	Lbs	(kg)	
MG-500	6-1/4"	48"	85	(39)	3"
MG-600	10-3/4"	72-1/4"	330	(150)	5"
MG-800	16"	72-1/4"	529	(240)	6"

MUD & OIL GUARD ASSEMBLY



MODEL/ COMPOUND	END SEAL PIPE SIZES							
	2-3/8"	2-7/8"	3-1/2"	4"	4-1/2"	5"	5-1/2"	6-5/8"
MG-500 - CR	433510	433511	433513	-----	-----	-----	-----	-----
MG-500 - NBR	433520	433521	433523	-----	-----	-----	-----	-----
MG-600 - CR	433610	433611	433613	433614	433615	433616	433617	-----
MG-600 - NBR	433620	433621	433623	433624	433625	433626	433627	-----
MG-800 - CR	433810	433811	433813	433814	433815	433816	433817	433818
MG-800 - NBR	433820	433821	433823	433824	433825	433826	433827	433828

CR - NEOPRENE, NBR - NITRILE
 * NEOPRENE COMPOUND IS STANDARD

MG-500 REPLACEMENT END SEALS SET, (2) SETS REQUIRED

COMPOUND	2-3/8"	2-7/8"	3-1/2"
CR	433530	433531	433533
NBR	433540	433541	433543

END SEAL REPLACEMENT NUT AND BOLT KIT - 433508

STANDARD ASSEMBLY COMPOUND IS NEOPRENE

MG-600 REPLACEMENT END SEALS SET, (2) SETS REQUIRED

COMPOUND	2-3/8"	2-7/8"	3-1/2"	4"	4-1/2"	5"	5-1/2"
CR	433630	433631	433633	433634	433635	433636	433637
NBR	433640	433641	433643	433644	433645	433646	433647

END SEAL REPLACEMENT NUT AND BOLT KIT - 433608

STANDARD ASSEMBLY COMPOUND IS NEOPRENE

MG-800 REPLACEMENT END SEALS SET, (2) SETS REQUIRED

COMPOUND	2-3/8"	2-7/8"	3-1/2"	4"	4-1/2"	5"	5-1/2"	5-7/8"	6-5/8"
CR	433830	433831	433833	433834	433835	433836	433837	433946	433838
NBR	433840	433841	433843	433844	433845	433846	433847	433945	433848

END SEAL REPLACEMENT NUT AND BOLT KIT - 433808

STANDARD ASSEMBLY COMPOUND IS NEOPRENE

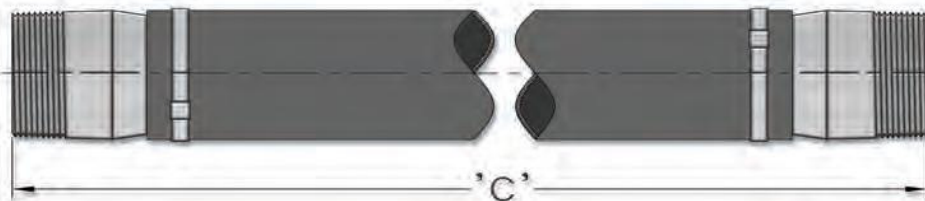
CR - NEOPRENE, NBR - NITRILE

SIDE SEAL COMPONENTS

MODEL	SIDE SEAL SET - CR	SIDE SEAL SET - NBR	METAL SEAL BRACKETS	NUTS & BOLTS
MG-500	433502	433552	433506	433507
MG-600	433602	433652	433606	433607
MG-800	433602	433652	433606	433607

CR - NEOPRENE, NBR - NITRILE

STANDARD ASSEMBLY COMPOUND IS NEOPRENE

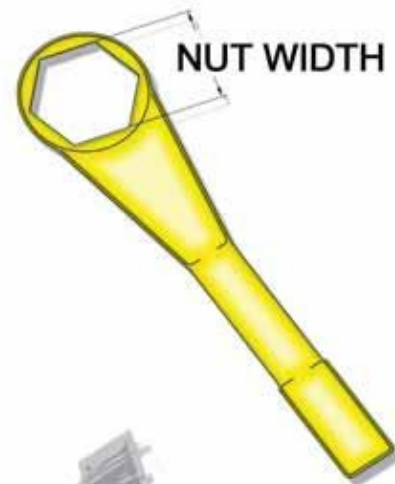
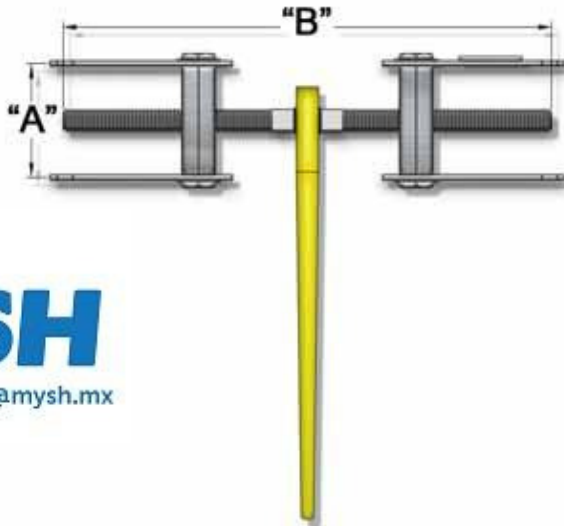


DISCHARGE HOSE

MODEL	OUTLET END	HOSE LENGTH "C"				
		3'-6"	10'	13'	16'	20'
MG-500	3" L.P.T.	433503	-----	-----	-----	-----
MG-600	4" L.P.T.	433703	-----	-----	-----	-----
MG-600	5" L.P.T.	433603	433653	-----	433661	-----
MG-800	6" L.P.T.	433803	433954	433955	433956	433959

STANDARD ASSEMBLY LENGTH IS 3'-6".

CHAIN CONNECTORS & BOX WRENCHES



MYSH

www.mysh.mx ventas@mysh.mx

DESCRIPTION	FOR USE WITH ROLLER CHAIN SIZE	DIMENSIONS		ITEM #	WEIGHT	
		'A' MAX	"B"		Lbs	(kg)
NO.1 CHAIN CONNECTOR	1-1/4" THROUGH 2-1/4"	3"	11"	432101	5.3	(2.4)
NO.2 CHAIN CONNECTOR	2-1/4" THROUGH 3" & API 3, 3-1/2, 4	5"	25-1/4"	432201	24.0	(10.9)
NO.3 CHAIN CONNECTOR	1-1/4" THROUGH 3" & API 3, 3-1/2, 4	8"	25-1/4"	432301	26.0	(11.8)

DESCRIPTION	FOR USE WITH		ITEM #	WEIGHT	
	STUD/NUT	NUT WIDTH		Lbs	(kg)
BOX WRENCH - 5063	5/8"	1-1/16"	425063	1.5	(0.7)
BOX WRENCH - 5075	3/4"	1-1/4"	425075	1.6	(0.7)
BOX WRENCH - 5088	7/8"	1-7/16"	425088	2.5	(1.1)
BOX WRENCH - 5100	1"	1-5/8"	425100	3.5	(1.6)
BOX WRENCH - 5113	1-1/8"	1-13/16"	425113	3.5	(1.6)
BOX WRENCH - 5125	1-1/4"	2"	425125	4.8	(2.2)
BOX WRENCH - 5138	1-3/8"	2-3/16"	425138	5.8	(2.6)
BOX WRENCH - 5150	1-1/2"	2-3/8"	425150	6.3	(2.9)
BOX WRENCH - 5163	1-5/8"	2-9/16"	425163	7.3	(3.3)
BOX WRENCH - 5175	1-3/4"	2-3/4"	425175	7.8	(3.5)
BOX WRENCH - 5188	1-7/8"	2-15/16"	425188	9.5	(4.3)
BOX WRENCH - 5200	2"	3-1/8"	425200	9.8	(4.4)
BOX WRENCH - 5225	2-1/4"	3-1/2"	425225	10.8	(4.9)
BOX WRENCH - 5250	2-1/2"	3-7/8"	425250	14.3	(6.9)

OTECO, Inc.



2828 Trout St.
Houston, Texas 77093-5546

Phone: 713-695-3693
Toll Free: 800-366-6650 (USA only)
Web Address: <http://www.OTECO.com>
E-mail: Sales@OTECO.com